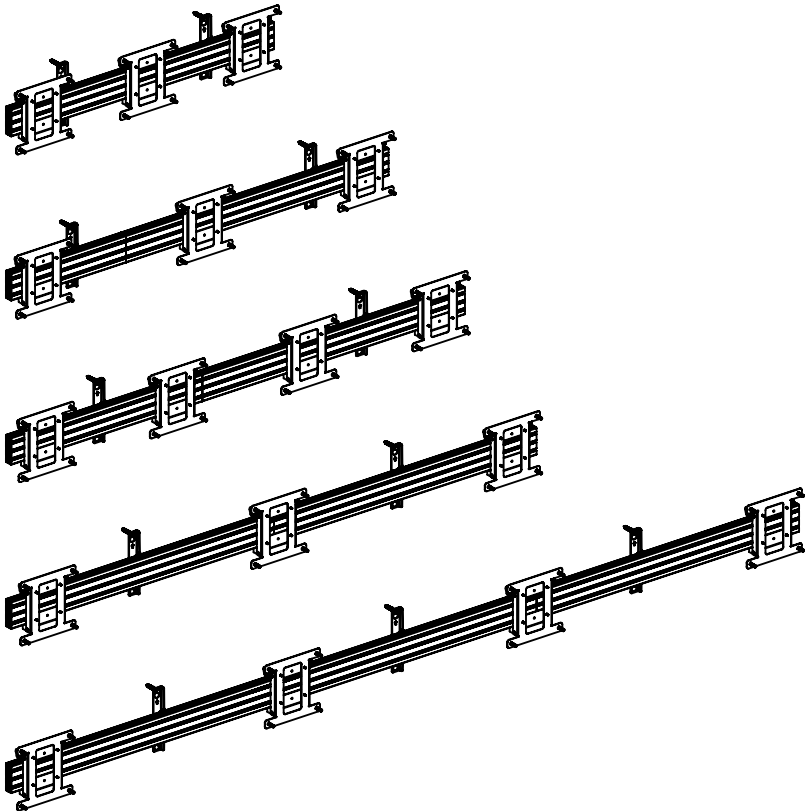


# Installation Guide

WT22xxxxLL

Menu board mount, multiple screens up to 43"





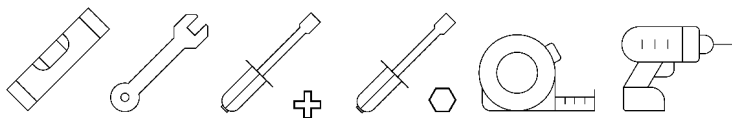
## CAUTION

- This product must be installed by a professional installer.
- This product is designed to be wall mounted. Before installing, please verify that the wall can bear the combined weight of the solution and hardware. Standard fixings for wooden material and fixings for concrete material are supplied as part of the product, but they will not be suitable for all types of walls. It is the responsibility of the installer to use the appropriate fixings for the specific installation location.
- The maximum weight limit for this product is 150 kg per wall bracket. Do not exceed the stated weight limit.
- This product is intended for indoor use only.
- Please don't power the hardware, until the entire solution is fully assembled.
- If these installation instructions are not followed precisely, it could lead to product failure and potential personal injury.
- Ergonomic Solutions / SpacePole inc. cannot be held responsible for any product failure or personal injury, if the installation instructions are not followed correctly.
- Ergonomic Solutions / SpacePole inc. cannot be held responsible for any product failure or personal injury, if any modifications have been made to the product by the customer.

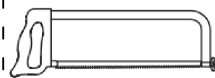
### MAINTENANCE

- It is the responsibility of the customer to periodically check the installation and ensure it is clean, all air ventilation holes are free and all fixings are tightened correctly.

# Tool list



Optional



# Box content

WT223110LL



12x Spacer  $\varnothing 8.4/\varnothing 15.5 \times 5$



16x  $\varnothing 8/\varnothing 16$  washer



2x (A)



4x  $\varnothing 10 \times 50$  wall plug



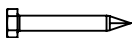
4x M6 T-nut



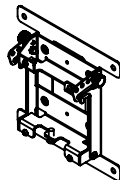
1x (B)  
set of 4



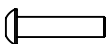
4x M6x10 (for T-nut)



4x wood screw 8x60



3x (C)



12x M8x35



12x M8x25



12x M8x16



12x M6x12



1x (D)  
Length = 1100mm

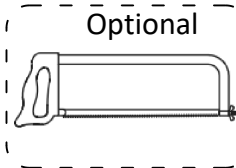
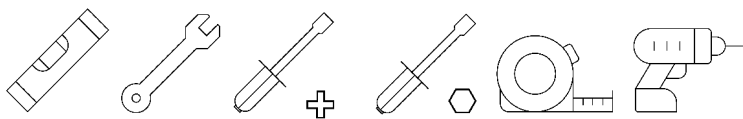


12x M4x8 (Philips)



12x M4x6 (Philips)

# Tool list





# Box content


WT223158LL



 12x Spacer  $\varnothing 8.4/\varnothing 15.5 \times 5$

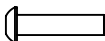
 16x  $\varnothing 8/\varnothing 16$  washer

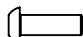
 4x  $\varnothing 10 \times 50$  wall plug


 4x M6 T-nut

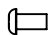
 4x M6x10 (for T-nut)

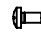
 4x wood screw 8x60


 12x M8x35

 12x M8x25

 12x M8x16

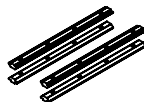
 12x M6x12

 12x M4x8 (Philips)

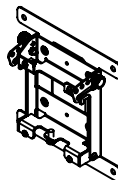
 12x M4x6 (Philips)



2x (A)



1x (B)  
set of 4



3x (C)

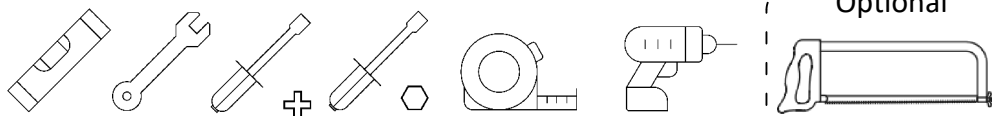


1x (D)  
Length = 1100mm



1x (E)  
Length = 480mm




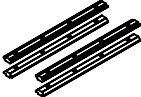

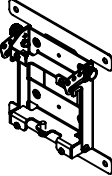


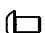

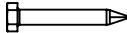
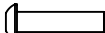
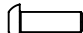
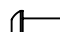
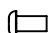


# Tool list



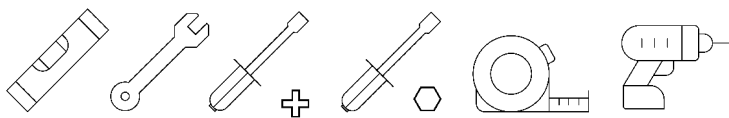
# Box content

WT224190LL

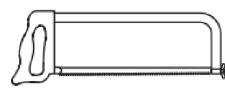


- |  |  |   |                           |
|--|--|---|---------------------------|
|    | 16x Spacer $\varnothing 8.4/\varnothing 15.5 \times 5$ |    | 2x (A)                    |
|    | 20x $\varnothing 8/\varnothing 16$ washer              |    | 1x (B)<br>set of 4        |
|    | 4x $\varnothing 10 \times 50$ wall plug                |   | 4x (C)                    |
|    | 4x M6 T-nut  |  | 1x (D)<br>Length = 1100mm |
|   | 4x M6x10 (for T-nut)                                   |  | 1x (F)<br>Length = 800mm  |
|   | 4x wood screw 8x60                                     |   |                           |
|  | 16x M8x35  |   |                           |
|  | 16x M8x25  |   |                           |
|  | 16x M8x16  |   |                           |
|  | 16x M6x12  |   |                           |
|  | 16x M4x8 (Philips)                                     |   |                           |
|  | 16x M4x6 (Philips)                                     |   |                           |

# Tool list



Optional





# Box content


WT23220LL



 12x Spacer  $\varnothing 8.4/\varnothing 15.5 \times 5$

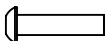
 16x  $\varnothing 8/\varnothing 16$  washer

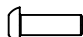
 4x  $\varnothing 10 \times 50$  wall plug

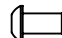
 4x M6 T-nut

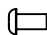
 4x M6x10 (for T-nut)


 4x wood screw 8x60


 12x M8x35

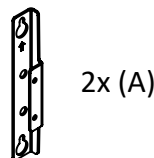
 12x M8x25

 12x M8x16

 12x M6x12

 12x M4x8 (Philips)

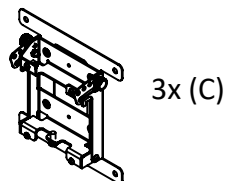
 12x M4x6 (Philips)



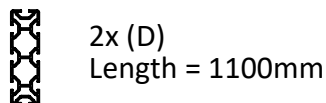
2x (A)



1x (B)  
set of 4

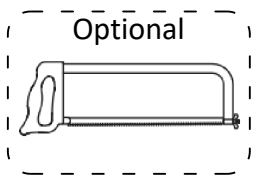
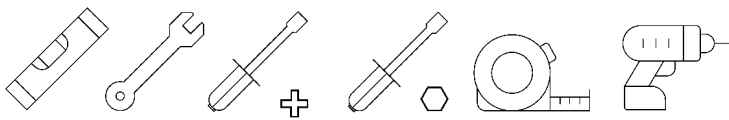


3x (C)



2x (D)  
Length = 1100mm

# Tool list






# Box content

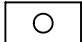

WT224330LL




  16x Spacer  $\varnothing 8.4/\varnothing 15.5 \times 5$

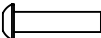
  24x  $\varnothing 8/\varnothing 16$  washer

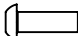
 6x  $\varnothing 10 \times 50$  wall plug


  6x M6 T-nut

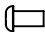
 6x M6x10 (for T-nut)

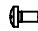
 6x wood screw 8x60


 16x M8x35

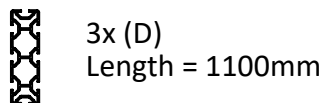
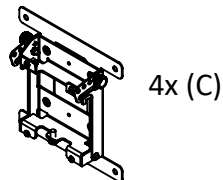
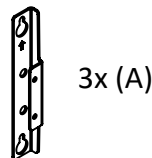
 16x M8x25

 16x M8x16

 16x M6x12

 16x M4x8 (Philips)

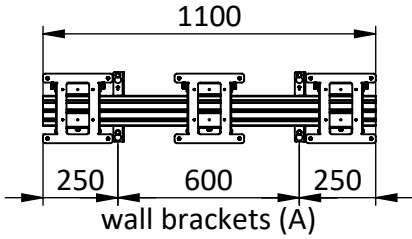
 16x M4x6 (Philips)



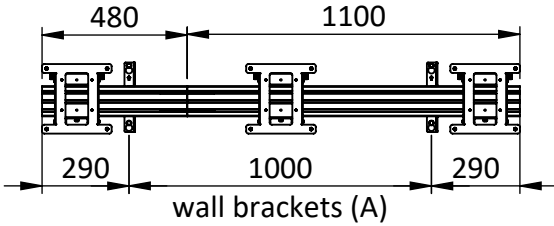
# Dimensions [mm]

WT22xxxxLL

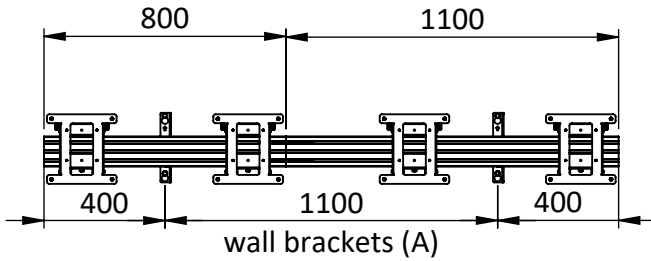
## Recommended position for wall brackets



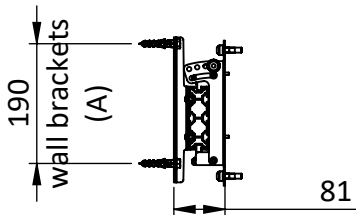
WT223110LL



WT223158LL



WT224190LL

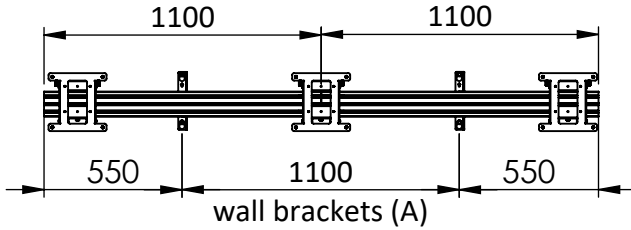




# Dimensions [mm]

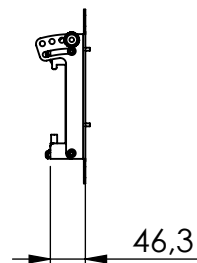
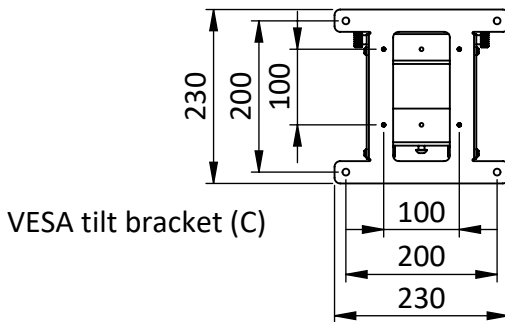
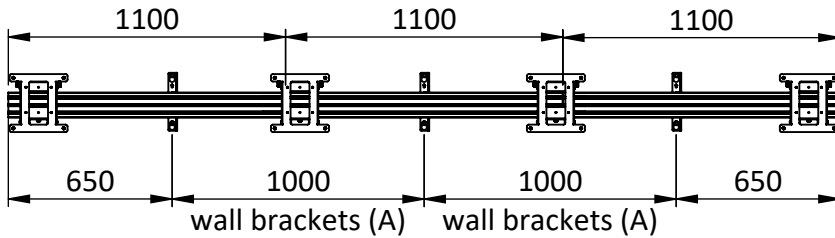
WT22xxxxLL

## Recommended position for wall brackets



WT223220LL

WT224330LL



# Optional: Shorten rails

Shorten rails to fit smaller screens.

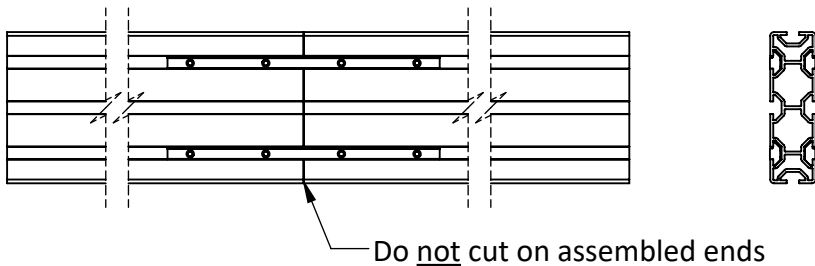
The rails can be shortened if:

- The screens are smaller than the maximum specified screen size.
- Fewer screens than the maximum specified number of screens are used.
- The orientation of the screens are different from the specified orientation.

It is the responsibility of the installer to measure the exact dimensions of the screens, before cutting the rails.

Cutting guidelines:

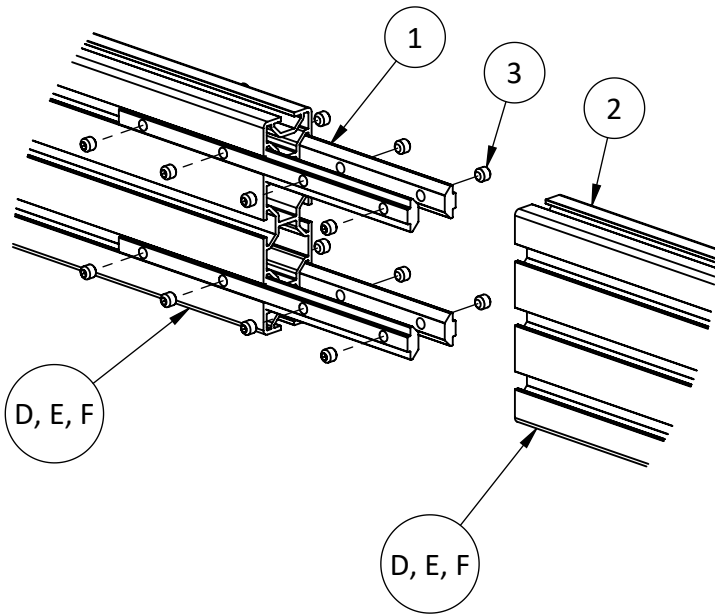
Screen size	Orientation	Number of screens	Minimum rail length	Maximum rail length
32"	Portrait	2	620	839
32"	Portrait	3	1090	1259
42/43"	Portrait	2	720	1082
42/43"	Portrait	3	1300	1623
49" / 50"	Portrait	2	810	1216
49" / 50"	Portrait	3	1470	1824
55"	Portrait	2	880	1362
32"	Landscape	2	900	1450
32"	Landscape	3	1650	2175
42/43"	Landscape	2	1120	1894



# Steps

## Step 1: Rail assembly

1. Slide in connector bars in one rail.
2. Assemble with second rail.
3. Tighten screws.

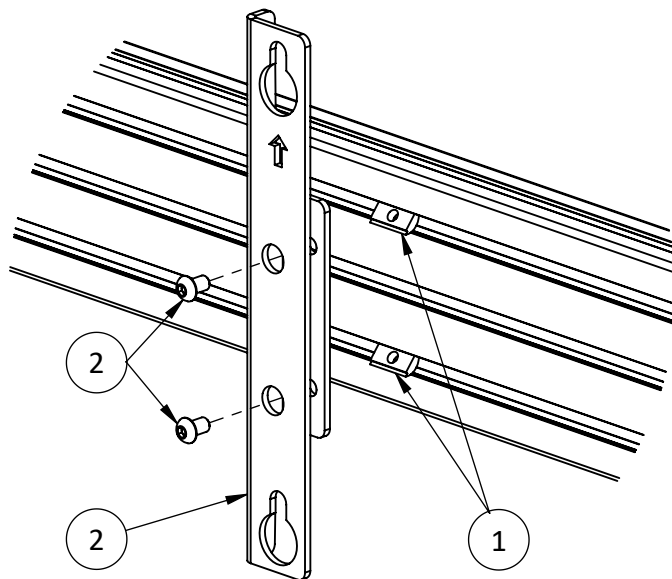


# Steps

## Step 2: Mount wall brackets (A) on rails (D, E, F)

1. Flip in two T-Bar nuts.
2. Attach wall bracket (A) with M6x10 screws
  - Repeat with all wall brackets (A)

See dimension guide for position of wall brackets (A)

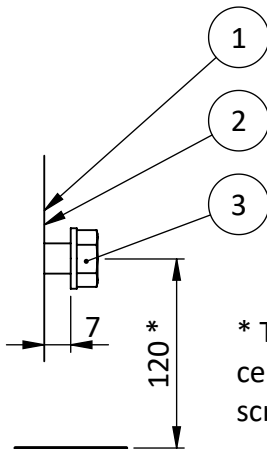


# Steps

## Step 3: Mount rail with wall brackets on wall

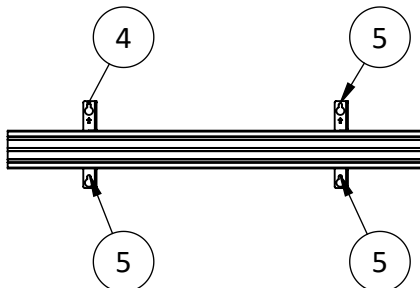
1. Mark position for first screw in wall bracket (A).
2. Drill hole/insert wall plug.
3. Mount a screw approx. 7mm from the wall.
4. Hang the assembled rail on the screw, use the keyhole.
5. Mark for the rest of the wall plug.
  - Drill holes/insert wall plugs.
  - Mount the rail and tighten all wall screws.

Make sure to align rail horizontally when marking



**WARNING:** It is the responsibility of the installer to use the correct fixings for the specific installation site.

\* The distance from upper wall screw to center of VESA/mounting pattern at the screen.



# Steps

## Step 4: Mount VESA bracket (A) on screen

### Parts supplied (per screen)

1x (B)

4x M4x6 Philips screws

4x M4x8 Philips screws

4x M6x12 screws

4x M8x16 screws

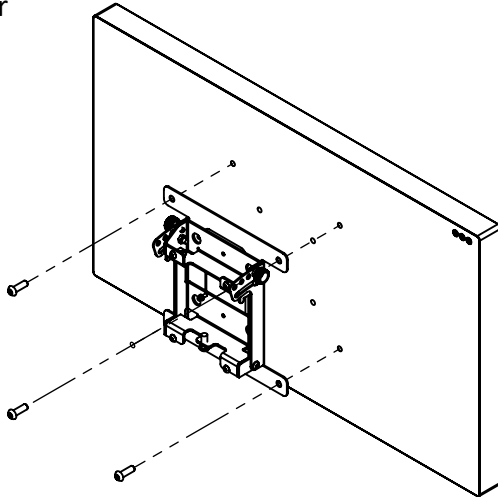
4x M8x25 screws

4x M8x35 screws

4x  $\varnothing 8/\varnothing 16$  washer

4x  $\varnothing 8.4/\varnothing 15$  black spacer

**WARNING:** Select appropriate screw length/size, combine with washer/spacer if needed.



# Steps

## Step 5: Tilt the screen

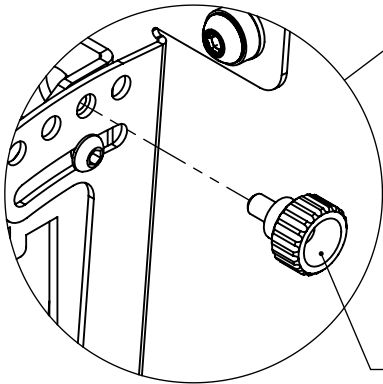
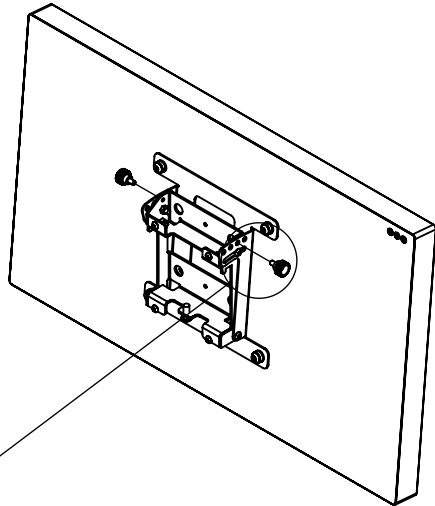
Tilt options:

0 degrees

5 degrees

10 degrees

15 degrees

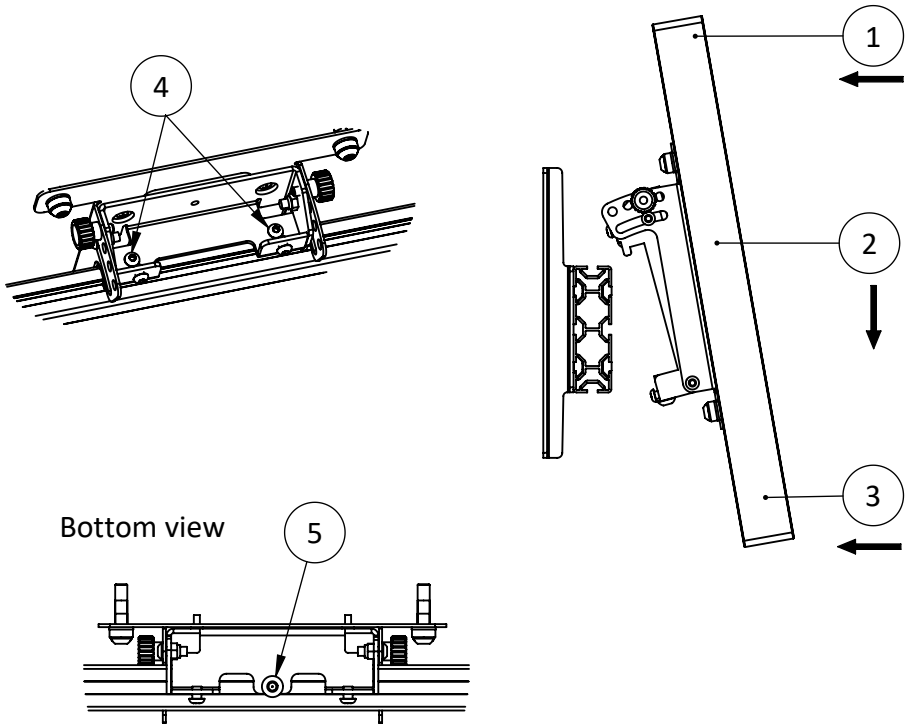


Remove 2 x thumb screws and tilt to required angle, insert and tighten the thumb screws again

# Steps

## Step 6: Hook all screens on to rail and level

- 1 Attach to the top of the wall mount.
- 2 Lower the screen.
- 3 Swing in the bottom of the screen.
- 4 Level the screen with levelling screws.
- 5 Secure VESA bracket (B) with screw underneath.





*This page intentionally left blank*

*This page intentionally left blank*

*This page intentionally left blank*

**Need help? Contact us**



[ergonomic.solutions/about/contact-us](https://ergonomic.solutions/about/contact-us)

[spacepole.com/about/contact-us](https://spacepole.com/about/contact-us)